

Technical Data Sheet

CODE 17146

LINEO 150

Mixed flow extractor fans



Certifications



IMQ



CE



IMQ Performance

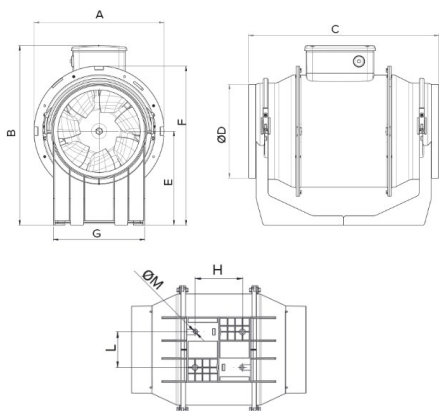


UKCA

TECHNICAL AND PERFORMANCE DATA

Absorbed power 1st speed (W)	40	Delivery 1st speed (l/s)	106,9
Frequency (Hz)	50	Delivery 1st speed (m ³ /h)	385
Insulation Class	II°	Max delivery at max speed (l/s)	152,8
IP	44	Max delivery at max speed (m ³ /h)	550
Max ambient temperature for continuous operation (°C)	60	Pressure - 1st speed (mmH2O)	21
Max. absorbed Current at max. speed (A)	0,26	Pressure - 1st speed (Pa)	206
Max. absorbed Current at min. speed (A)	0,18	Pressure max - max speed (mmH2O)	27
Max. absorbed power at max speed (W)	58	Pressure max - max speed (Pa)	264,9
Nominal Diameter (mm)	150	RPM max	2100
Voltage (V)	220-240	RPM min	1580
Weight (Kg)	2,5	Sound pressure level Lp [dB (A)] 3m - max speed	50,5
		Sound pressure level Lp [dB (A)] 3m - min speed	41,4

DIMENSIONS



Size A (mm)	214,5
Size B (mm)	234
Size C (mm)	294
Size D (mm)	146
Size E (mm)	112,5
Size F (mm)	212
Size G (mm)	110
Size H (mm)	60
Size L (mm)	80
Size M (mm)	5,5

PER INFORMAZIONI:

Servizio al Cliente: tel +39 02 90699395 premendo 1 dopo messaggio registrato (consulenza su prodotti e impianti)

Pre & Post Vendita: fax +39 02 90699302

Email prevendita: prevendita@vortice-italy.com

Technical Data Sheet

CODE 17146

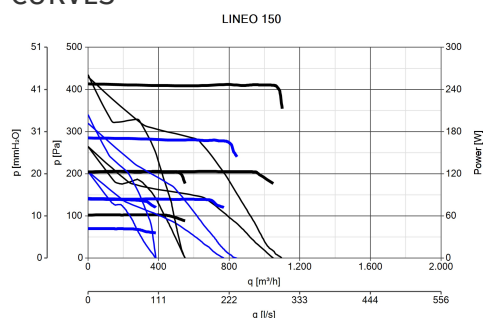
LINEO 150

Mixed flow extractor fans



DESCRIPTION

CURVES



ACCESSORIES



C TEMP

Code 12992



C SMOKE

Code 12993



C HCS

Code 12994



C PIR

Code 12998



C TIMER

Code 12999



KIT SCB (TRASF.E.C.)

Code 22481



C 1.5 (COMANDO EL. 1.5 A)

Code 12966



IN-LINE-S 150

Code 22562



IN-LINE-S 160

Code 22563



LINEO-PF 150

Code 22579



LINEO-C 150

Code 22586

PER INFORMAZIONI:

Servizio al Cliente: tel +39 02 90699395 premendo 1 dopo messaggio registrato (consulenza su prodotti e impianti)

Pre & Post Vendita: fax +39 02 90699302

Email prevendita: prevendita@vortice-italy.com





LINEO-SF 500
Code 22593



LINEO-G 150
Code 22703



DUO
Code 22914



IREM D
Code 12867