

Technical Data Sheet

CODE 17145

LINEO 125

Mixed flow extractor fans



Certifications



IMQ Performance

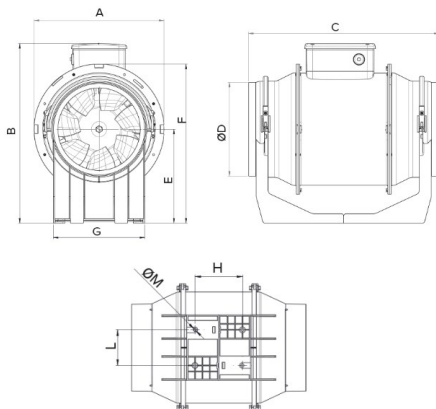


UKCA

TECHNICAL AND PERFORMANCE DATA

Absorbed power 1st speed (W)	25	Delivery 1st speed (l/s)	69,4
Frequency (Hz)	50	Delivery 1st speed (m ³ /h)	250
Insulation Class	II°	Max delivery at max speed (l/s)	101,4
IP	44	Max delivery at max speed (m ³ /h)	365
Max ambient temperature for continuous operation (°C)	60	Pressure - 1st speed (mmH2O)	13
Max. absorbed Current at max. speed (A)	0,15	Pressure - 1st speed (Pa)	127,5
Max. absorbed Current at min. speed (A)	0,11	Pressure max - max speed (mmH2O)	17
Max. absorbed power at max speed (W)	33	Pressure max - max speed (Pa)	166,8
Nominal Diameter (mm)	125	RPM max	2140
Voltage (V)	220-240	RPM min	1570
Weight (Kg)	1,8	Sound pressure level Lp [dB (A)] 3m - max speed	43
		Sound pressure level Lp [dB (A)] 3m - min speed	33,9

DIMENSIONS



Size A (mm)	188,5
Size B (mm)	211
Size C (mm)	258
Size D (mm)	122
Size E (mm)	101,5
Size F (mm)	189
Size G (mm)	90
Size H (mm)	60
Size L (mm)	80
Size M (mm)	5,5

PER INFORMAZIONI:

Servizio al Cliente: tel +39 02 90699395 premendo 1 dopo messaggio registrato (consulenza su prodotti e impianti)

Pre & Post Vendita: fax +39 02 90699302

Email prevendita: prevendita@vortice-italy.com

Technical Data Sheet

CODE 17145

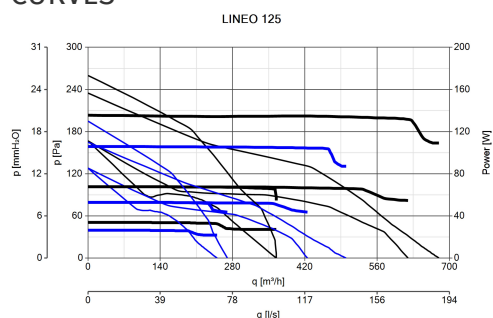
LINEO 125

Mixed flow extractor fans



DESCRIPTION

CURVES



ACCESSORIES



C TEMP

Code 12992



C SMOKE

Code 12993



C HCS

Code 12994



C PIR

Code 12998



C TIMER

Code 12999



LINEO-G 125

Code 22702



LINEO-C 125

Code 22585



LINEO-PF 125

Code 22578



DUO

Code 22914



IN-LINE-S 125

Code 22556



LINEO-SF 500

Code 22593



PER INFORMAZIONI:

Servizio al Cliente: tel +39 02 90699395 premando 1 dopo messaggio registrato (consulenza su prodotti e impianti)

Pre & Post Vendita: fax +39 02 90699302

Email prevendita: prevendita@vortice-italy.com



C 1.5
(COMANDO EL.
1.5 A)
Code 12966

KIT SCB
(TRASF.E.C.)
Code 22481